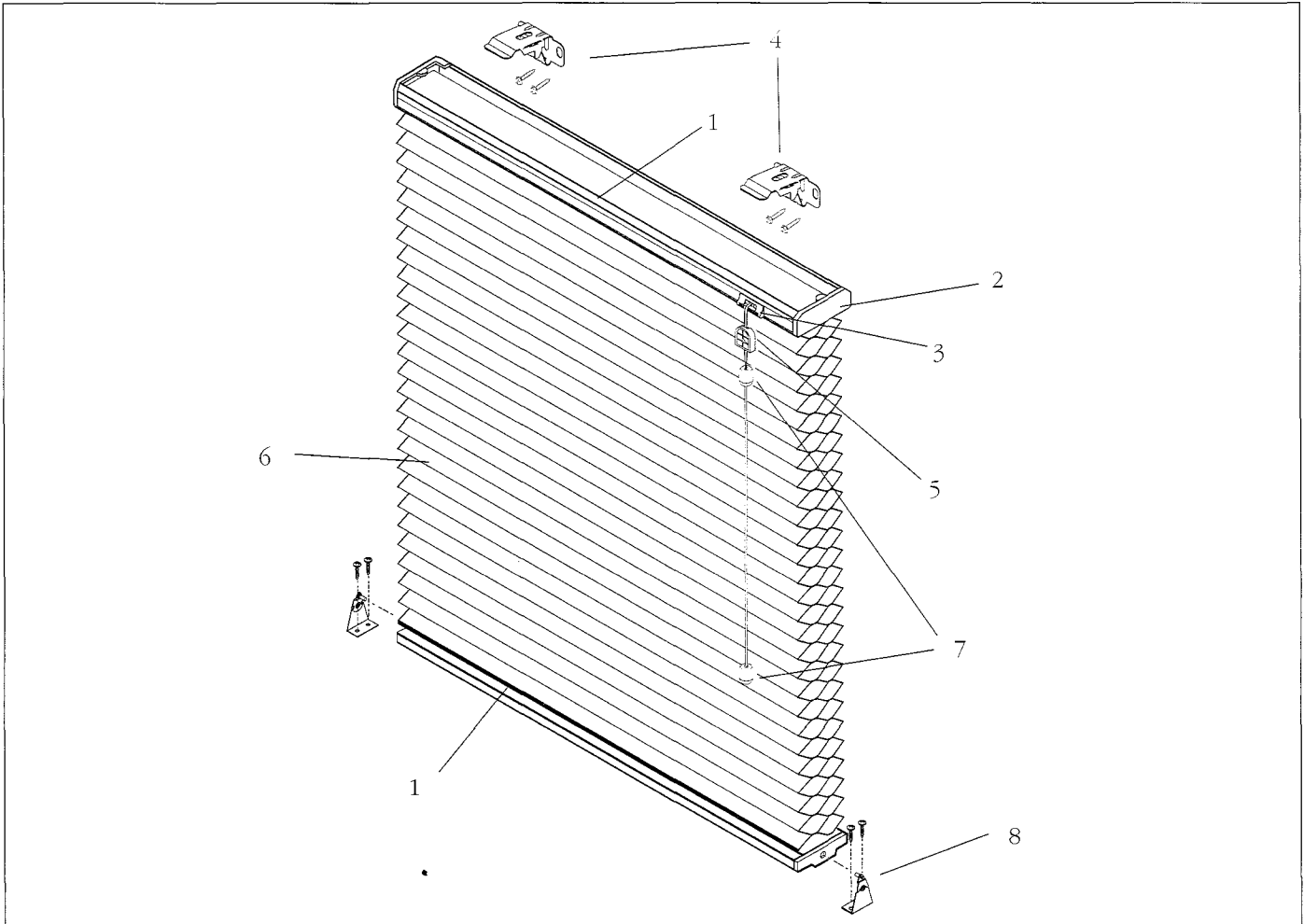


3/8" DOUBLE CELL SHADE SPECIFICATIONS



1. Aluminum Headrail & Bottomrail
 - Color-coordinated to fabric
 - Extremely durable
2. Flush-Mount End Caps
 - Color-coordinated
 - Sleeker look and tighter fit
3. Cord Lock
 - Sleek, streamlined design
 - Color-coordinated
 - Free-floating serrated metal cord locking roller for dependable operation
4. Hidden Snap-In Brackets
 - Zinc-plated spring steel for easy installation
 - Extension brackets also available
5. Stop Tassel
 - Offers flexibility for minor length adjustment
 - Color-coordinated
6. Fabric Styles
 - All providing superior energy efficiency and light control with our unique double cell design
7. Joiner Ball and End Ball
 - Color-coordinated to fabric
8. Optional Hold-Down Brackets
 - Secures shade to doors, walls and window sills
9. Cord Cleat (Not Shown)
 - Mount to window frame or wall to secure cord for safety